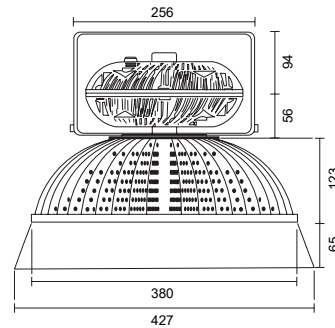




# APOLED

Pendant industrial LED lighting IP65



## SPECIFICATION

Housing: Pressure die-cast aluminum alloy with polyester powder paint  
 Beam angles: 45°, 70°, 90°, 110°  
 Housing color: Gray, white, RAL  
 IES protection classes: Class I  
 Color temperature, K: 4000K - 6000K  
 Input voltage, V: 220V  
 Overvoltage protection: >6.5KV  
 Ingress Protection Rating, IP: IP65  
 Color rendering index, Ra: >75  
 Control system: Switch On\Off, 1-10V, PWM, DALI  
 Power factor (PF): >0.9  
 Operating temperature: -25°C ~ +50°C  
 Guaranteed lifetime, hours: 50 000h

Article	Name	Power, W	Dimensions, mm	Beam angle, degrees	Color temperature, K	Weight, kg
79516001	APOLED 160W 220V non-dim IP65	160W	d 357x279	110°	4000K, 5000K, 6000K	8,6kg
79516011	APOLED 160W 220V dimm PWM or 1-10V IP65	160W	d 357x279	110°	4000K, 5000K, 6000K	8,6kg
79518001	APOLED 180W 220V non-dim IP65	180W	d 357x279	110°	4000K, 5000K, 6000K	8,7kg
79518011	APOLED 180W 220V dimm PWM or 1-10V IP65	180W	d 357x279	110°	4000K, 5000K, 6000K	8,7kg
79520001	APOLED 200W 220V non-dim IP65	200W	d 357x279	110°	4000K, 5000K, 6000K	8,8kg
79520011	APOLED 200W 220V dimm PWM or 1-10V IP65	200W	d 357x279	110°	4000K, 5000K, 6000K	8,8kg
79524001	APOLED 240W 220V non-dim IP65	240W	d 357x279	110°	4000K, 5000K, 6000K	8,9kg
79524011	APOLED 240W 220V dimm PWM or 1-10V IP65	240W	dd 357x279	110°	4000K, 5000K, 6000K	8,9kg
400051	APOLED 45°/70°/90° aluminum reflector	-	588x300/ 535x160	45°, 70°, 90°	-	-
400056	APOLED mat diffuser for the aluminum reflector	-	588x300/ 535x160	-	-	-
400061	APOLED PC reflector	-	230,40x78,72	-	-	-
400066	APOLED protective grill grid	-	320x80	-	-	-
400081	APOLED mounting clamp (only to 160W-180W)	-	253x60	-	-	-
400091	APOLED motion sensor	-	-	-	-	-
400096	APOLED converter DALI-PWM	-	-	-	-	-